

GGF 175 & GGF 200



Screw-in probes for deep-frozen products



- For screwing into frozen food
- Ergonomic T-handle
- Made of durable V4A stainless steel
 - Food safe
 - Corrosion resistant
- Large measuring range
 - Pt100/1000:
GGF 175: -70 ... +250 °C
 - Type K:
GGF 200: -65 ... +250 °C
- Precise: Class B/AA (GGF 175) or Class 1 (GGF 200)
- Water-protected according to IP65/67

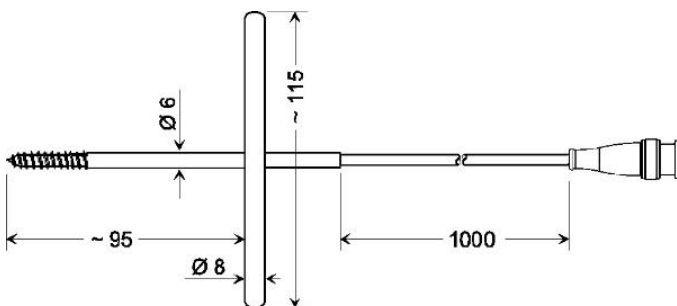
DESCRIPTION

These robust screw-in probes are specially designed for quick and precise temperature monitoring in frozen goods and solid media. Thanks to the integrated screw thread, they can be screwed securely and comfortably directly into the solid material to be measured. **No predrilling required.**

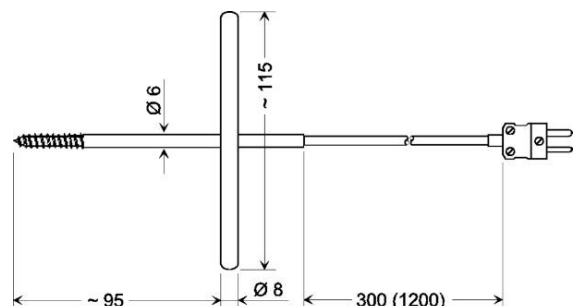
They are made of high-quality V4A stainless steel, which makes them robust, food-safe, and corrosion-resistant. The sensor tips and tube dimensions represent a balanced solution between the requirements for response speed and robustness.

When combined with a suitable display device (see section "Suitable instruments"), the temperature probes can optionally be equipped with DAKKS/ACCREDIA-accredited calibration ISO/IEC 17025 or with ISO 9001 calibration.

GGF 175:



GGF 200:



TECHNICAL SPECIFICATION

	GGF 175	GGF 200
Sensor	Pt1000 (2 wire) or Pt100 (2-/4-wire)	Type K (NiCr-NiAl)
Measuring range	-70 ... +250 °C	-65 ... +250 °C
Accuracy	- Class DIN B (standard) - Class DIN AA (1/3 DIN Klasse B)	Class 1: ± 1.5 °C (-40 °C to +375 °C) or 0.40 % (+375 °C to +1000 °C)
Response time (T ₉₀)	Ca. 15 s	
Cable	Ø 4 mm highly flexible silicone thermal cable (up to +200 °C), L = 1 m With M12 connector: PVC cable, L = 1m Coiled cable (approx. 1.2 m stretched)	Coiled cable (approx. 1.2 m stretched)
Connection	BNC plug, M12 connector Loose ends with wire end ferrules	Miniature flat plug
Dimensions	Probe: Ø 6 mm, L = 95 mm (to handle) Handle: Ø 8 mm, L = 115 mm	
Weight	Approx. 100 g (incl. coiled cable)	
Material	V4A stainless steel pipe	
Protection degree	IP65 / IP67 (except at miniature flat plug)	
Application	Screw-in	

ORDER CODES

Platinum screw-in probe for deep-frozen products

GGF175 - 1 - 2 - 3 - 4

1	Sensor element	
		Pt1000 (2-wire) (standard)
	P2	Pt100 (2-wire)
	P4	Pt100 (4-wire)
2	Accuracy	
		Class DIN B (standard)
	D	Class DIN AA (1/3 class DIN B)
3	Connection	
	BNC	BNC plug (e.g. ECO 120 / G 1700)
	M12	M12 connector 4-pin (e.g. PRO 11X, pinning: 1,2-Pt100-3,4)
	LE	Loose ends with wire end ferrules
4	Cable and length	
		1 m silicone cable (standard)
	L01_P	1 m PVC cable
	L01.2SK	Coiled cable approx. 1.2 m stretched (up to 2 m at max. extension)

Type K screw-in probe for deep-frozen products

GGF200 - 1 - 2

1	Connection	
		Miniature flat plug (standard)
	LE	Loose ends with wire end ferrules
2	Cable and length	
	L01.2SK	Coiled cable approx. 1.2 m stretched (up to 2 m at max. extension)

STANDARD ARTICLES

GGF175-BNC	Screw-in probe for deep-frozen products Pt1000 (2-wire), class B, BNC plug, 1 m silicone cable	Art. No. 610397
GGF175-P4-M12-L01_P	Screw-in probe for deep-frozen products Pt100 (4-wire), class B, M12 connector, 1 m PVC cable	Art. No. 490014
GGF200-L01.2SK	Screw-in probe for deep-frozen products Type K, class 1, Miniature flat plug, 1.2 m coiled cable	Art. No. 603418

SUITABLE INSTRUMENTS

For GGF 175 with BNC plug

ECO 120	Waterproof Pt1000 2-wire alarm thermometer for BNC exchangeable sensors. Device in carton box, incl. 2 x AA alkaline batteries, manual, test report	Art. No. 486749
ECO 120-Gourmet	Waterproof Pt1000 2-wire alarm thermometer for BNC exchangeable sensors, suitable for cooking, baking and barbecue with removable protective rubber cover and 2 strong magnets. Device in carton box, incl. 2 x AA alkaline batteries, manual, test report	Art. No. 489728

For GGF 175 with M12 connector

PRO 111	High precision thermometer for Pt100 4 wire probes, M12 socket 4-pole, graphic display. Device in carton box, incl. 4 x AA alkaline batteries, QuickStart, test-protocol	Art. No. 486650
PRO 115	High precision thermometer for Pt100 4 wire probes, M12 socket 4-pole, graphic display. Device in carton box, incl. 4 x AA alkaline batteries, QuickStart, test-protocol, USB cable. Free Software ProXware downloadable from Senseca website	Art. No. 486651

For GGF 200

PRO 131.2	2-channel handheld temperature meter for thermocouple probes, graphic display. Device in carton box, incl. batteries, QuickStart, test protocol, without temperature probe	Art. No. 486119
PRO 135.2	2-channel handheld temperature meter/data logger for thermocouple probes, graphic display. Device in carton box, incl. batteries, QuickStart, test protocol, USB cable, without temperature probe. Free Software ProXware downloadable from Senseca website	Art. No. 486118
ECO 130	Type K thermocouple quick response thermometer (formerly G 1200). Device in carton box, incl. batteries, manual, test protocol, without probe	Art. No. 486708
ECO 130.2	Type K quick response 2-channel-alarm-thermometer (formerly G 1202). Device in carton box, incl. batteries, manual, test protocol, without probe	Art. No. 486732